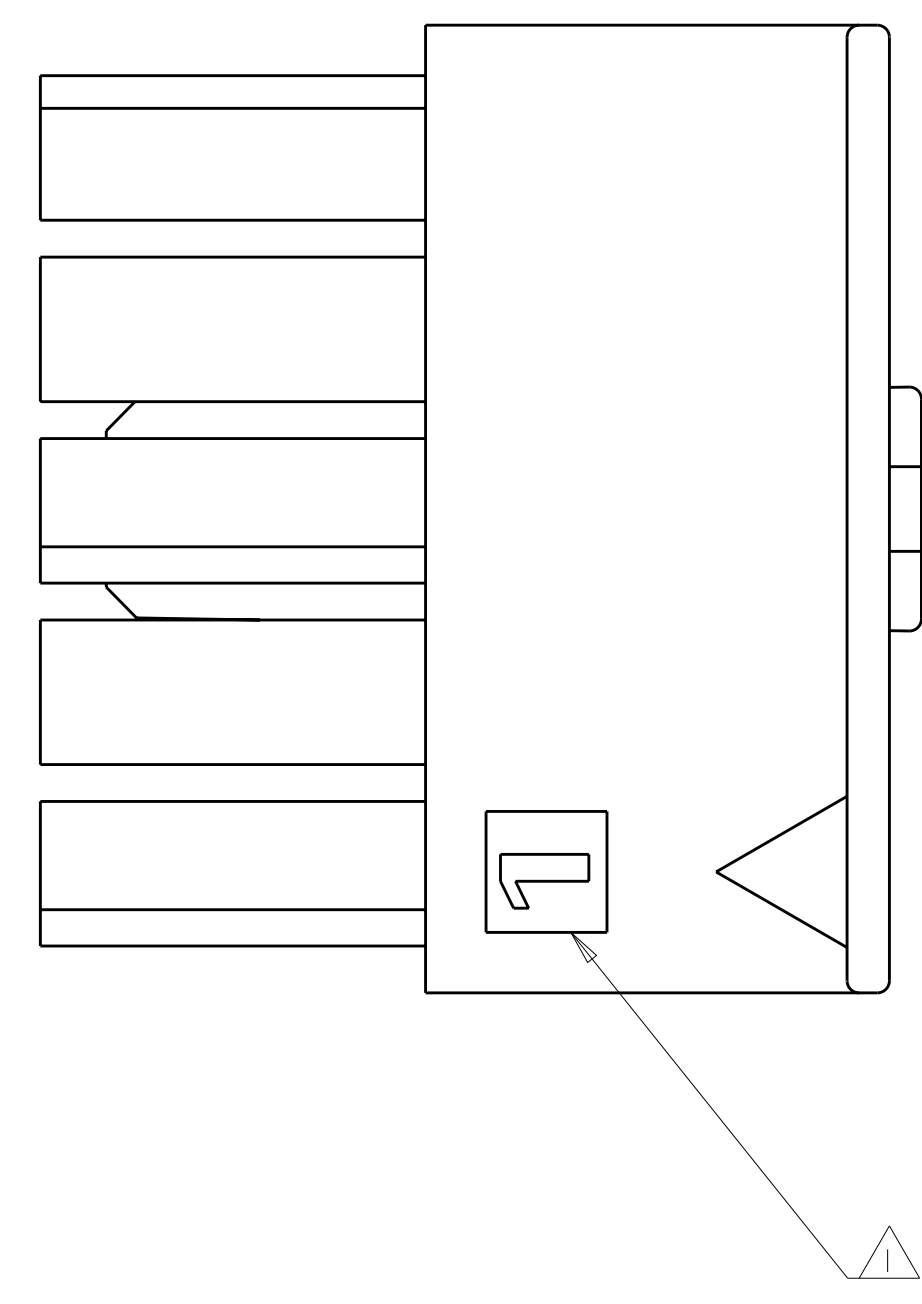
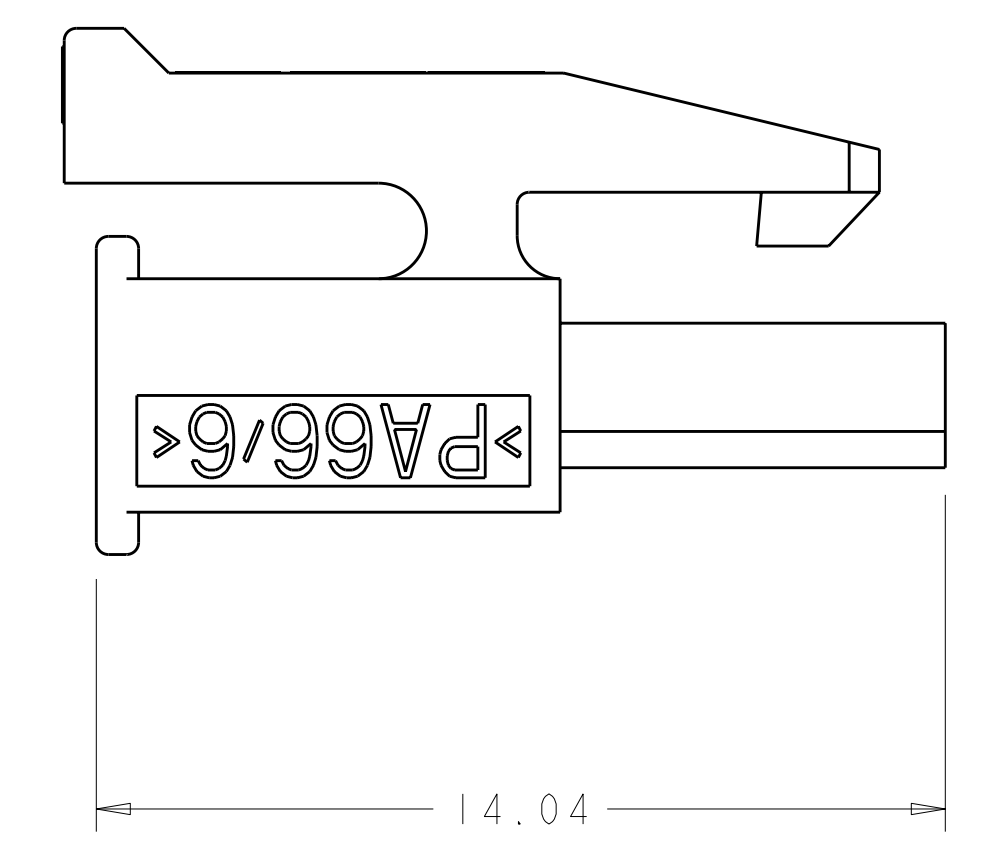
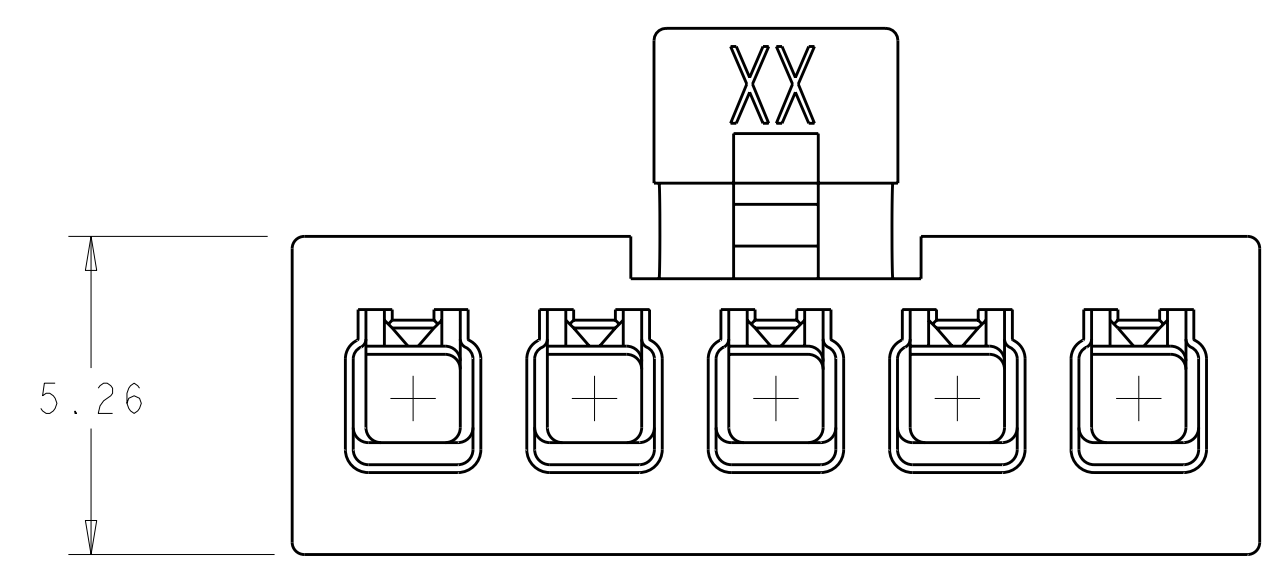
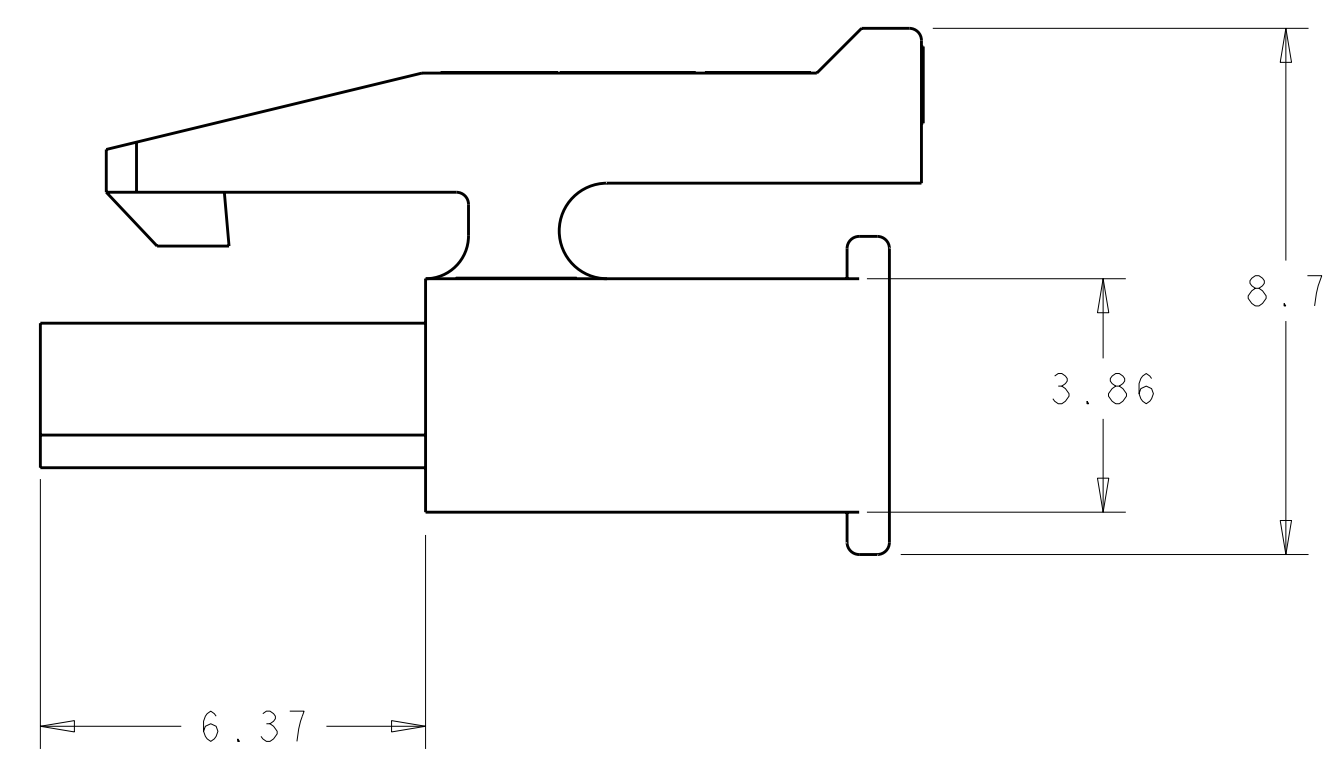
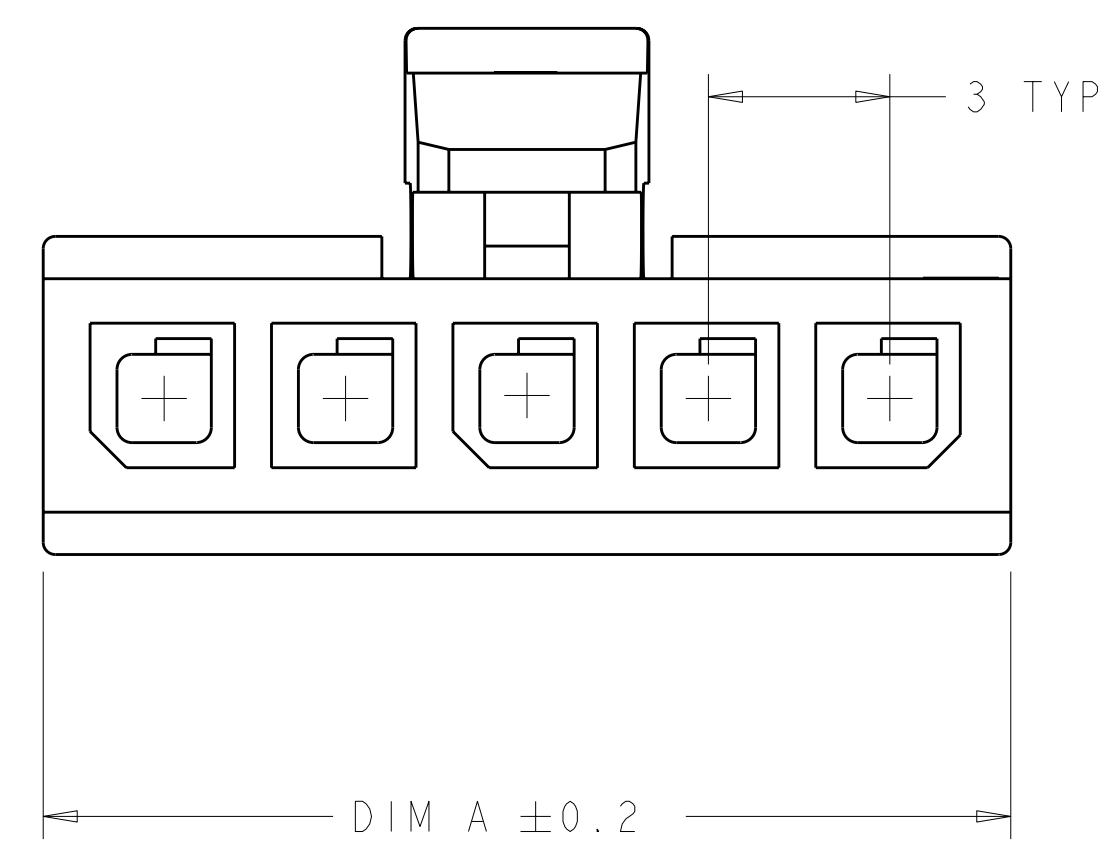
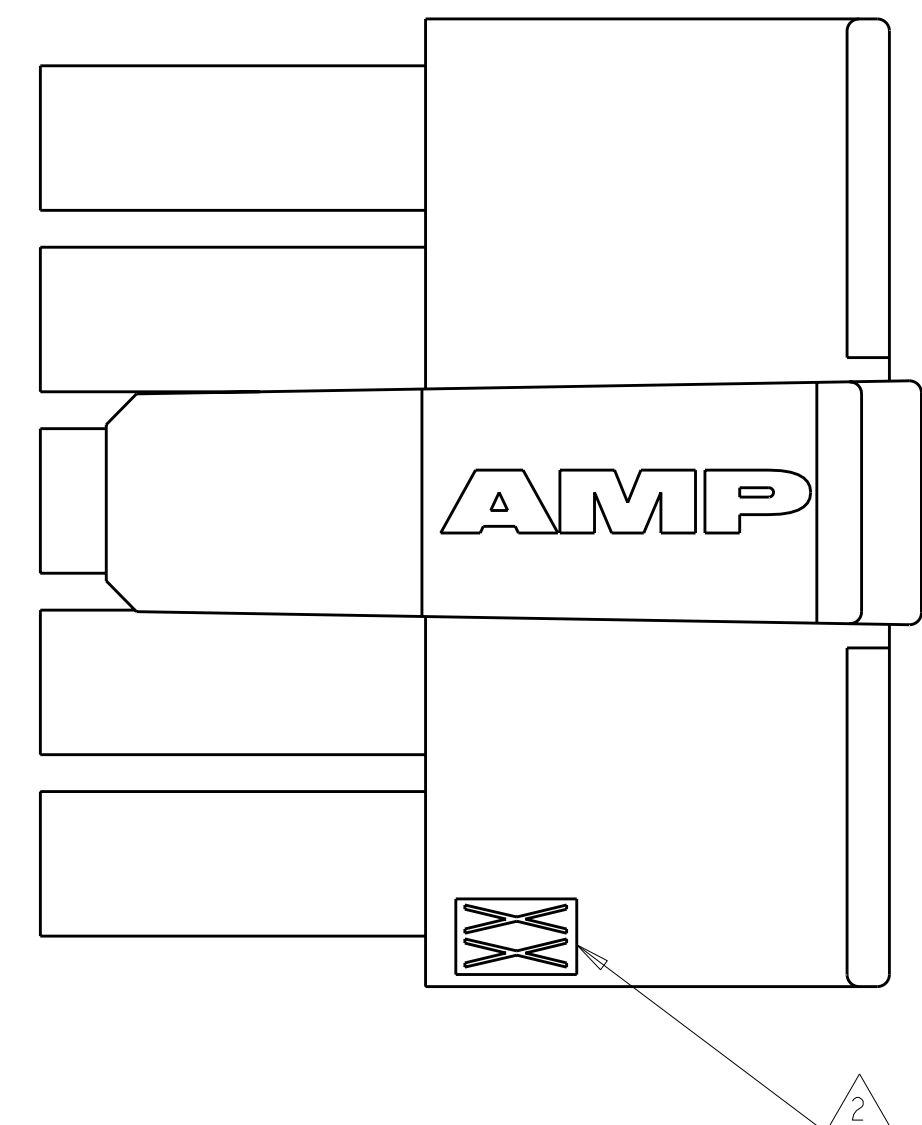


LOC	DIST	REVISIONS					
CM	00	P	LTB	DESCRIPTION	DATE	DWN	APVD
		B		REVISED PER 063B-0421-02	31-JAN-03	KW	CJ
		C		ECO-08-005876	06MAR2008	KW	CJ
		CI		ECO-08-009617	17APR2008	KW	CJ

① CIRCUIT 1 IDENTIFIER, LOCATED APPROXIMATELY AS SHOWN.
 ② LAST CIRCUIT IDENTIFIER, LOCATED APPROXIMATELY AS SHOWN.



VOLUME mm ³	DIM A	NO OF POS.	PART NO.
1091.66	37	12	1-1445022-2
1011.3	34	11	1-1445022-1
929.64	31	10	1-1445022-0
847.19	28	9	1445022-9
768.32	25	8	1445022-8
686.23	22	7	1445022-7
605.73	19	6	1445022-6
525.93	16	5	1445022-5
444.06	13	4	1445022-4
363.34	10	3	1445022-3
282.61	7	2	1445022-2

DIMENSIONS: mm 		TOLERANCES UNLESS OTHERWISE SPECIFIED: 0 PLC ± 1 PLC ±0.13 2 PLC ± 3 PLC ± 4 PLC ± ANGLES ±1° FINISH -		DWN R. WHITAKER 14AUG2001 CHK C. JONES 14AUG2001 APVD C. JONES 14AUG2001		Tyco Electronics Harrisburg, PA 17105-3608	
MATERIAL: NYLON, UL 94V-0 BLACK		PRODUCT SPEC APPLICATION SPEC WEIGHT CUSTOMER DRAWING		NAME RECEPTACLE HOUSING, 2 TO 12 POSITION, SINGLE ROW, MICRO MATE-L-LOK(TM)		SIZE CAGE CODE DRAWING NO RESTRICTED TO A 00779 C=1445022	
SCALE 1:1 SHEET 1 OF 1 REV. C				Tyco Electronics Corporation 1445022-2			

